

Twist & Fix Filter Cartridges for dust removal systems

Twist & Fix features

▶ Cylindrical filter cartridges with four nominal diameters, each available in standard heights of 300, 600, 1000, 1200 and 1500 mm and with injection-moulded flange made of glass-fiber-reinforced polyamide.

Construction details

- ▶ Perfect fit of the filter cartridge, with the filter medium protected by a *centering collar*.
- ▶ *Spacer ribs on both sides of the flange* (patented) ensure correct mounting as well as optimum sealing against the system's raw-gas compartment.
- ▶ *Foamed-in gasket on each side* – for raw or clean-gas mounting as desired.
- ▶ For antistatic cartridge variants DMT test reports are on file.

Filter media

- ▶ Full-surface thermal bonded nonwovens manufactured in-house.
- ▶ Additional finish:
 - antistatic (patented)
 - PTFE-membrane
 - antistatic with PTFE-membrane
- ▶ All filter media are suitable for arresting health-hazard dusts in conformity with the on-file BIA certificates.

Option

- ▶ Rotary jet systems or displacement units for cartridges with $d_N = 324$ mm to optimize the cleaning process (see separate data sheets).



viledon®

Re-usable accessory parts reduce the costs for replacement and disposal when the cartridge is changed.

Nominal diameter	Support cage (galvanized steel)	Pulse-jet deflector (galvanized steel)
145 mm	Typen 145/ 500 – 1500	PJR 145
156 mm	Typen 156/ 600 – 1500	PJR 156
218 mm	Typen 218/ 500 – 1500	PJR 218
324 mm	Typen 324/ 600 – 1500	PJR 324



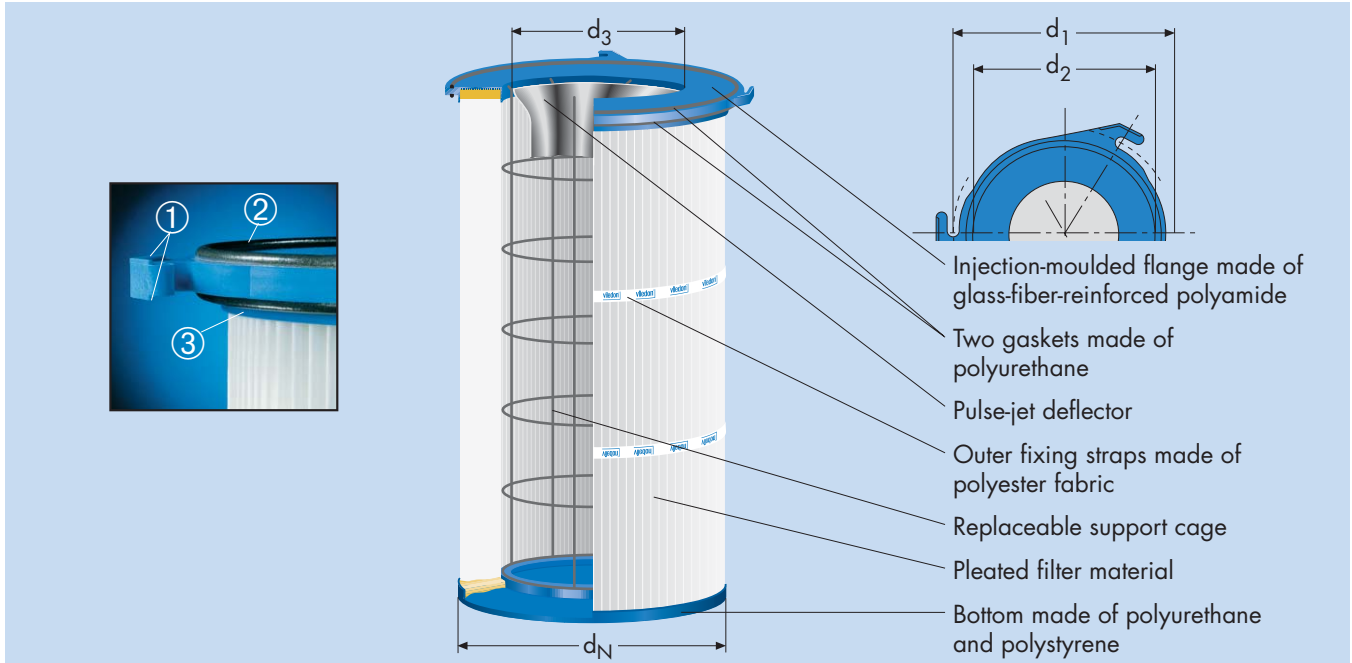
and ENVIRONMENTAL
MANAGEMENT SYSTEM
to DIN EN ISO 14001

Reg. No. 1420

Freudenberg
Filtration Technologies
Weinheim/Germany

Freudenberg

Twist & Fix Filter Cartridges – simple installation for a perfect fit



Twist & Fix elements and construction details

① Double-sided spacer ribs (patented) ② Foamed-in gasket on each side ③ Centering collar

Cartridge Series			LP 145	LP 156	LP 218	LP 324
Ø Bottom	d_N	[mm]	145	156	218	324
Mounting hooks			3 x 120°	3 x 120°	3 x 120° 4 x 90°	3 x 120°
Ø Pitch circle	d_1	[mm]	180	203	264	392
Ø Gasket (inside)	d_2	[mm]	147	165	226	339
Ø Flange (inside)	d_3	[mm]	85	96	144	215
Height H		[mm]	300 - 1500	300 - 1500	300 - 1500	300 - 1500
Different heights on request						
Filter areas		[m ²]	1.0 - 5.4	1.0 - 5.4	1.5 - 7.5	3.8 - 25
Number of pleats			72/54	72/54	79	87/135/175
Pleat depth		[mm]	25	25	32	48

The figures given here are mean values with tolerances entailed by the customary production fluctuations. Our explicit written confirmation is always required for the correctness and applicability of the information involved in any particular case. All preceding versions are hereby rendered invalid. Viledon® is a registered and protected trademark of Carl Freudenberg.

Freudenberg Filtration Technologies KG

69465 Weinheim/Germany

Tel. +49 (0) 6201/80-6264 | Fax +49 (0) 6201/88-6299

viledon@freudenberg-filter.com | www.viledon-filter.com

